

# MAKEN

## Economical Medium Cash Drawer

Make It Happen

INNOVATION QUALITY SERVICE

### 🔍 EK-350/EK-330

Obviously lower priced, but having many features similar to the higher priced drawers, and still durable

enough to meet frequent use

demands. The perfect platform for

most of the retail environments, also

the ideal base for large size ECR.



Durable Metal Wire Gripper Bill Holder  
Tested over one million operations

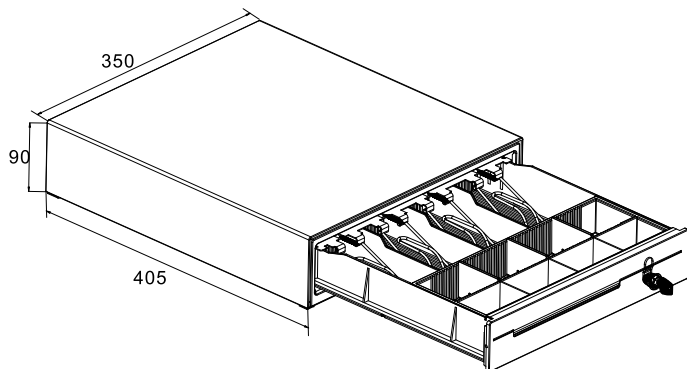
Removable coin tray

# EK-350 / EK-330 Specifications

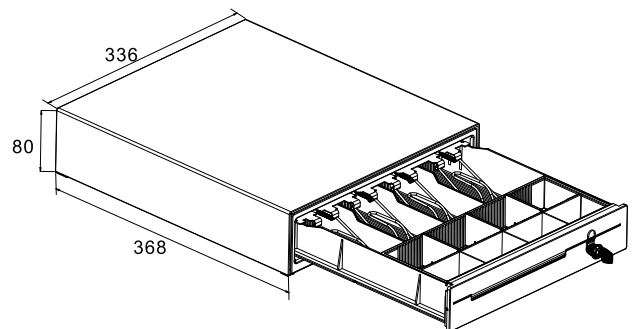
MODEL NUMBER	EK-350	EK-330
<b>PHYSICAL</b>		
<b>Dimension</b>	350 (W)x405 (D)x90(H)mm	336(W)x368(D)x80(H)mm
<b>Construction</b>	Thick gauge cold rolled steel & SECC	
<b>Finish</b>	Textured hybrid powder coat	
<b>Color</b>	Black, Beige and Custom type	
<b>Roller</b>	Polyurethane for smooth operation	
<b>CASH TRAY (INSERT)</b>		
<b>Construction</b>	Shatter-resistant plastic	
<b>Currency Layout</b>	4-Bill with Metal Metal wire grips, 5/8 Adjustable Coin Slots	
<b>Media Slots</b>	1	
<b>OPERATION</b>		
<b>Drawer Lock</b>	3-Position lock / 4-Functions: locked open/ closed, manual open, electronically driven	
<b>Interface</b>	RJ11, RJ12, USB, RS232, DC $\Phi$ 2.5 /3.5 Jack, custom type	
<b>Lifecycle</b>	MTBF 1,000,000 times +	
<b>Micro Switch</b>	Cash Drawer Status Micro Switch	

OPTION	ACCESSORIES	
	Part Number	Description
Micro-switch		
Stainless Steel Front	DT-100U	USB Trigger
Cash tray with different currency layout	DT-100RS	Serial Interface Trigger
Different color		
Different interfaces		

Packing Details			
Models	Net Weight(kg)	Gross Weight(kg)	Carton Size(cm)
EK-350	4.6	5.6	45.3 x 40.2 x 13.5
EK-330	4.0	5	39.0 x 41.8 x 13.3



**EK-350**



**EK-330**

## Xiamen Maken Tech Co., Ltd.

No.77,Huli Industrial Zone,Xike,  
Tong'an District,Xiamen 361100  
Fujian China

Tel: +86-592-5768733  
Fax: +86-592-5768735  
www.maken.com.cn  
E-mail: export@maken.com.cn

*Specifications are subjected to change without notice.*

