



DGM5606



5MP



H.265



EaZy
Networking



WDR



PoE



Mobile
Surveillance



5MP H.265 IR Bullet IP Camera

FEATURES

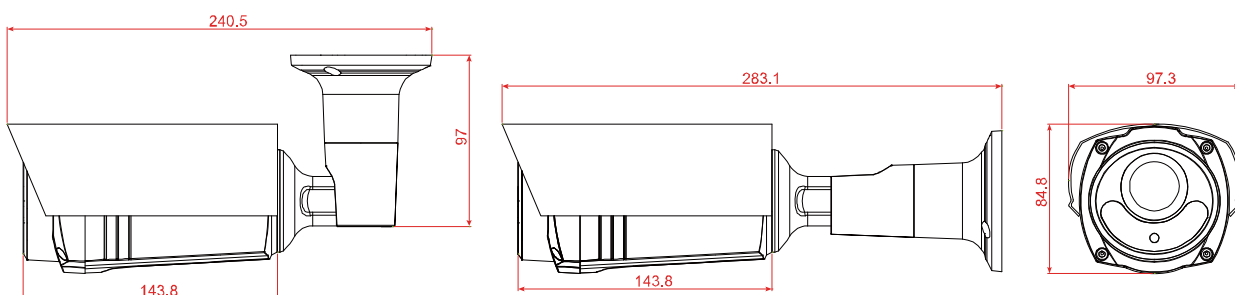
- **Free P2P Cloud EaZy Networking**

- Cloud **EaZy Networking** available to connect this device to Internet automatically in three steps with our free mobile app, EagleEyes.
- The **Buddy** feature to share the device access permission to other people.
- Device login / out notifications reported.



- **POE (Power-over-Ethernet)** support to eliminate the use of power cables and reduce installation costs
- **ONVIF** (**ONVIFS**) standard supported to simplify system integration
- IR effective range **up to 40 meters** for night surveillance
- **WDR** to increase image recognizability in overexposure and dark areas
- Excellent outdoor ID design with **able cable management**
- **Remote Surveillance**
 - **Fully compatible** with **iOS** and **Android** devices, and **Internet Explorer** on Windows operating system
 - Free PC program, **CMS Lite**, for 32CH devices monitoring on Windows operating system

DIMENSIONS



Dimensional tolerance: ± 5mm



○ SPECIFICATIONS

■ Network	
LAN Port	YES
LAN Speed	10/100 Based-T Ethernet
Supported Protocols	DDNS, PPPoE, DHCP, NTP, SNTP, TCP/IP, ICMP, SMTP, FTP, HTTP, RTP, RTSP, RTCP, IPv4/IPv6, Bonjour, UPnP, DNS, UDP, IGMP, QoS, SNMP
ONVIF Compatible	YES (Profile S)
Number of Online Users	10
Security	(1) Multiple user access levels with password (2) IP address filtering (3) Digest authentication
Remote Access	(1) Internet Explorer on Windows operating system (2) CMS Lite, 32CH CMS software for Windows operating system (3) EagleEyes on iOS & Android mobile devices
■ Video	
Network Compression	H.265 / H.264 / MJPEG
Video Resolution	2592 x 1944 / 2048 x 1536 / 1920 x 1080 / 1280 x 720 / 640 x 480 / 320 x 240
Frame Rate	15/12 IPS for 5MP 30/25 IPS for 3MP / 1080P / 720P
Multiple Video Streaming	4 (H.265 / H.264 / MJPEG)
■ General	
Image Sensor	1/2.9" SONY CMOS image sensor
Min Illumination	0.1 Lux / F1.8, 0 Lux (IR LED ON)
Shutter Speed	1/10,000 ~ 1/15 (Slow shutter)
S/N Ratio	More than 48dB (AGC off)
Lens	f2.8mm / F1.8
Viewing Angle	103° (Horizontal) / 54° (Vertical) / 122° (Diagonal)
IR LED	4 units
IR Effective Distance**	Up to 40 meters
IR Shift	YES
Smart Light Control	YES
White Balance	ATW
AGC	Auto
IRIS Mode	AES
WDR	YES
POE	YES (IEEE 802.3af)
Privacy Mask	YES
Defog	YES
RAM	20MB
IP Rating	IP66
Startup Temperature	0°C ~ 50°C
Operating Temperature	-25°C ~ 50°C
Operating Humidity	90% or less relative humidity
Power Source (±10%)	DC12V / 1A
Current Consumption (±10%)	215mA (IR LED OFF); 550mA (IR LED ON)
Power Consumption (±10%)	8.5W (PoE / PoN) ; 7W (DC Adapter)
Net Weight (kg)	0.94



○ SPECIFICATIONS (CONTINUED)

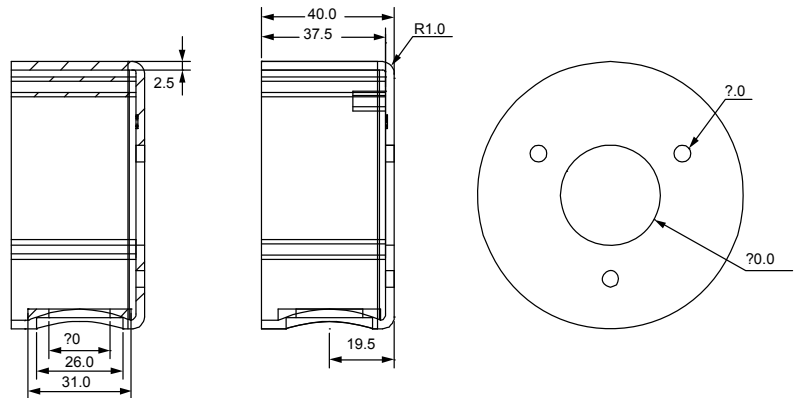
■ Others	
EaZy Networking	YES
Mobile Surveillance	iOS & Android mobile devices
Event Notification	FTP / Email / SMS
Digital Pan / Tilt / Zoom	YES
Motion Detection	YES
RTC (real-time clock)	YES
Minimum Web Browsing Requirements	<ul style="list-style-type: none"> • Intel core i3 or higher, or equivalent AMD • 2GB RAM • AGP graphics card, Direct Draw, 32MB RAM • Windows 10, Windows 8, Windows 7, Windows Vista & Windows XP, DirectX 9.0 or later • Internet Explorer 7.x or later (Windows Edge not supported)

*The specifications are subject to change without notice.

○ OPTIONAL PERIPHERALS

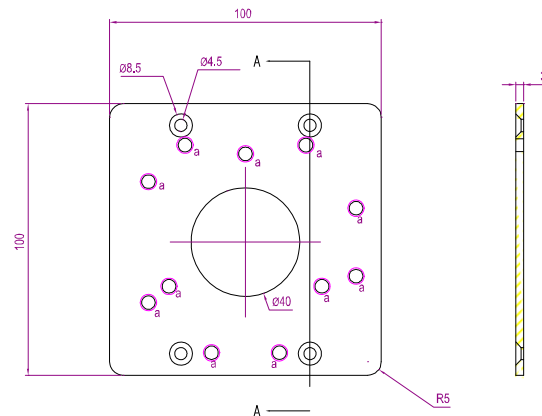
■ AVM552C-BBKT

Used as a bracket to mount the camera on the ceiling and collect the cables.



■ BULLETCON1

Used as a connector to install a junction box for further applications.



Dimensional tolerance: ± 5mm